

Porto Plan - 614011

Características | Especificaciones



Material
Material

Porcelana Vitrificada

Fixação
Fijación

À Parede | A la Pared

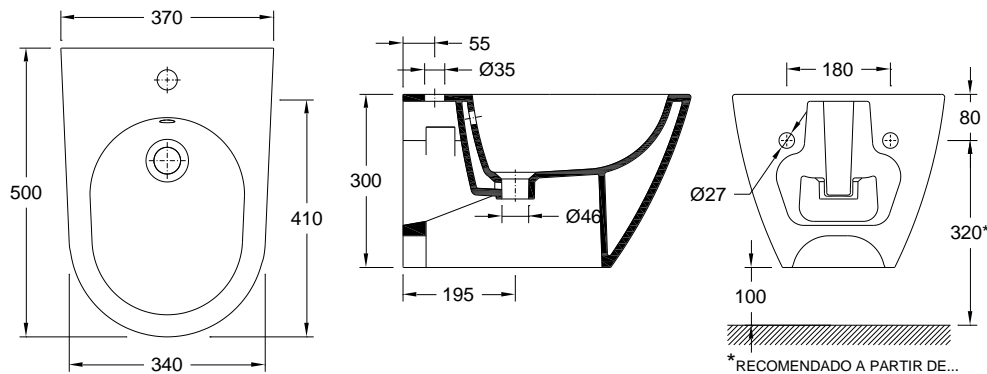
Garantia
Garantía



[Cores | Colores](#)

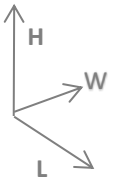
[Branco | Blanco](#)

Desenho Técnico | Diseño Técnico



Dimensões | Dimensiones (mm)

| | | | |
|----|-----|-----|-----|
| | L | W | H |
| 17 | 500 | 370 | 300 |



Componentes | Componentes

| | |
|--------------------------------|--|
| Incluído Incluido | Kit de fixação Bidé suspenso Nautilus Hide Kit de fijación Bidé suspendido Nautilus Hide |
| | Tampa p/ Overflow Cromado Tapa p/ Overflow Cromo |
| | |
| Necessário Requirido | Torneira Grifo |
| | Válvula de descarga Válvula de descarga |
| | Sifão Sifón |

Recomendações | Recomendaciones¹

| Material Matériaux | Type of product Type de pièce | Detergents Détergents | | Cleaning kit Matériel de Nettoyage | | Other Recommendations Autres Recommendations |
|---------------------------------------|----------------------------------|--|--|---------------------------------------|--------------------------------|--|
| | | ✗ | ✓ | ✗ | ✓ | |
| Ceramics Céramique | | Abrasives Abrasifs | Acid and basic weak Neutral Soap Acides et bases faibles Savon Neutre | ✗ | ✓ | Attention / Attention Not dropping objects Évitez de faire tomber des objets |
| Metallics Métallique | | Acid and Basic Acetone Alcohol Ammonia Abrasives | Neutral Soap Savon Neutre | Abrasives Abrasifs | Cleaning Cloth Chiffon doux | Weight on cover Ne vous tenez pas sur la surface supérieure Effort on soft-close Ne forcez pas la descente en douceur |
| Plastics/Resins Plastiques/Résines | | Acides et Bases Acétone Alcool Ammoniac Abrasifs | | | | |

1. P1 - Outras recomendações mais específicas podem acompanhar os produtos comercializadas. Recomendamos que siga as recomendações e instruções indicadas.
EN - Other particular recommendations can be attached complementarily with the traded products. We strongly advise you to follow the recommendations and instructions indicated.

Porto Plan - 614011

Specifications | Spécifications



Material
Matériel

Vitreous China

Fixing
Fixation

To the Wall | Au Mur

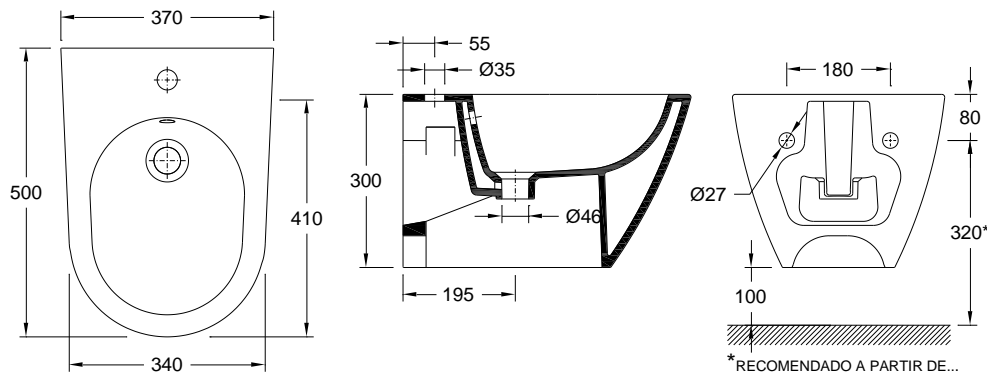
Warranty
Garantie



Colours | Couleurs

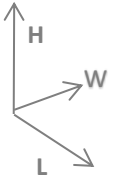
White | Blanc

Technical Drawing | Dessin technique



Dimensions | Dimensions (mm)

| | | | |
|----|-----|-----|-----|
| | L | W | H |
| 17 | 500 | 370 | 300 |



Components | Composants

| | |
|------------------------|--|
| Included Inclus | Fixing kit for Wall-hung Bidet Nautilus Hide Kit d'installation pour Bidet suspendue Nautilus Hide |
| | Overflow Cover Chrome Bouchon Chromé pour Troplein |
| Required Nécessaire | Tap Robinet |
| | Discharge valve Bonde d'évacuation |
| | Siphon Siphon |

Recommendations | Recommandations!

| Material Matériaux | Type of product Type de pièce | Detergents Détergents | | Cleaning kit Matériel de Nettoyage | | Other Recommendations Autres Recommandations |
|---------------------------------------|----------------------------------|--|--|---------------------------------------|--------------------------------|--|
| | | | | | | |
| Ceramics Céramique | | Abrasives Abrasifs | Acid and basic weak Neutral Soap Acides et bases faibles Savon Neutre | Abrasives Abrasifs | Cleaning Cloth Chiffon doux | Attention / Attention Not dropping objects Évitez de faire tomber des objets |
| Metallic Métallique | | Acid and Basic Acetone Alcohol Ammonia Abrasives | Neutral Soap Savon Neutre | Abrasives Abrasifs | Cleaning Cloth Chiffon doux | Weight on cover Ne vous tenez pas sur la surface supérieure |
| Plastics/Resins Plastiques/Résines | | Acides et Bases Acétone Alcool Ammoniac Abrasifs | | Abrasives Abrasifs | Cleaning Cloth Chiffon doux | Effort on soft-close Ne forcez pas la descente en douceur |

- P1 - Outras recomendações mais específicas podem acompanhar os produtos comercializadas. Recomendamos que siga as recomendações e instruções indicadas.
EN - Other particular recommendations can be attached complementarily with the traded products. We strongly advise you to follow the recommendations and instructions indicated.