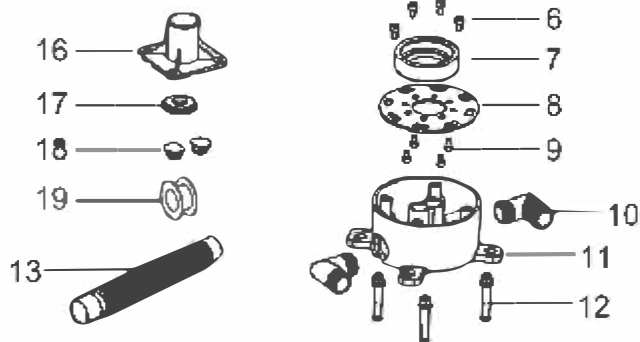
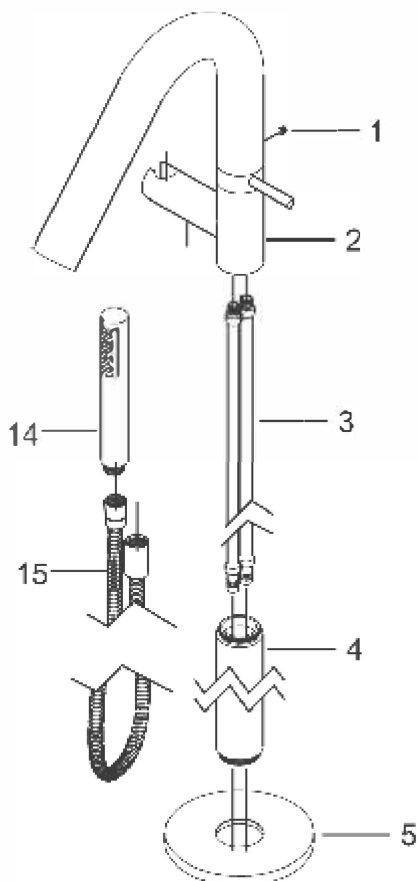


ESC. 1:5	Monocomando Banheira Montagem Ao Chão		
02/12/2022	SANITERRA[®]	MILANO SLIM	
	191016FS		

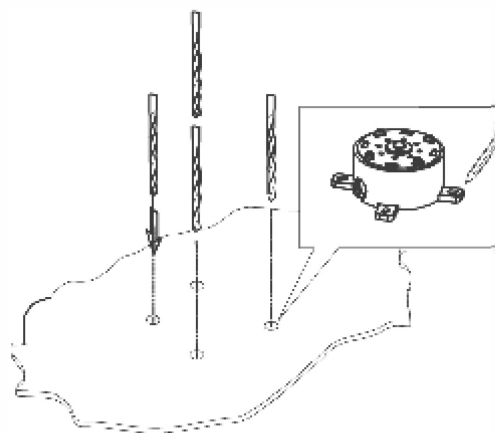
Bath Shower Mixer Installation Manual

SANITERRA®

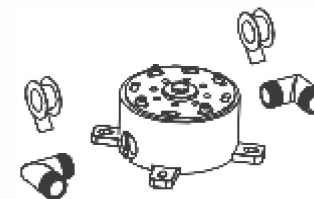
- 1 screws
- 2 body
- 3 inlet hose
- 4 connecting pipe
- 5 rosette
- 6 screws
- 7 fixing scat
- 8 fixing panel
- 9 screws
- 10 connector
- 11 concealed box
- 12 screw
- 13 draining hose
- 14 hand shower
- 15 hose
- 16 water testing penal
- 17 levelling instrument
- 18 water connector protector
- 19 sealing tape



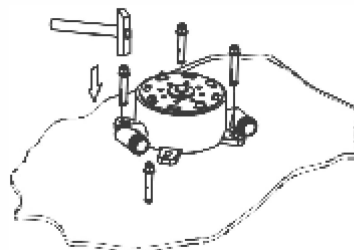
1
fix the screw position



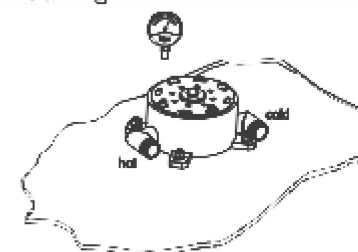
2
install the connector



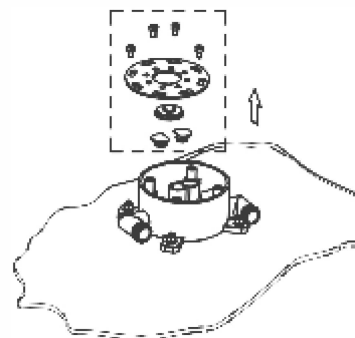
3
fasten the bolts after adjusted the level



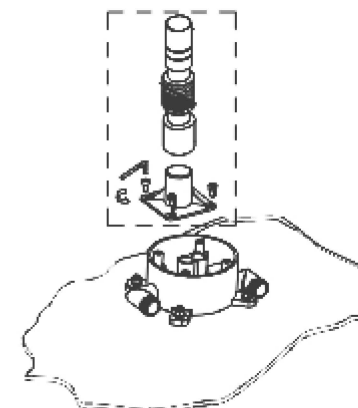
4
turn on the valve under pressure 0.8Mpa, keep for 30min to be sure no water leaking.



5
remove this part and it can be used in next step

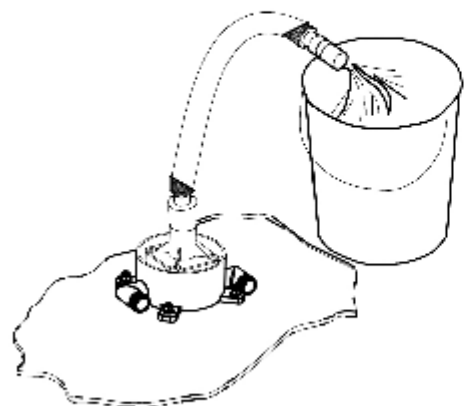


6
install pipe to clean spare parts



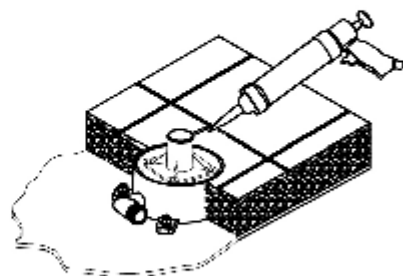
7

turn on the valve to let water flush to clean the water pipes



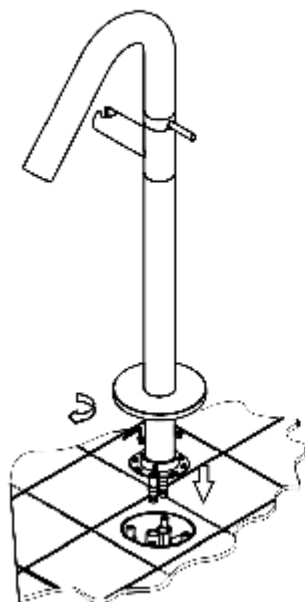
8

paving tiles,use silicon to finish the gaps



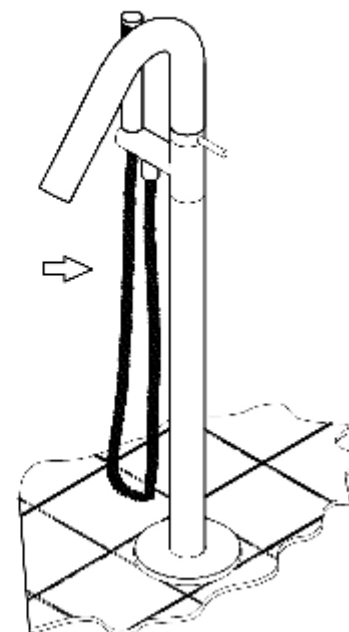
11

install the body into embedded box



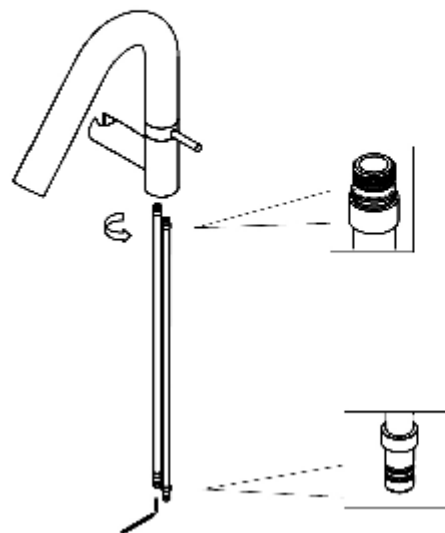
12

install the hand shower sets



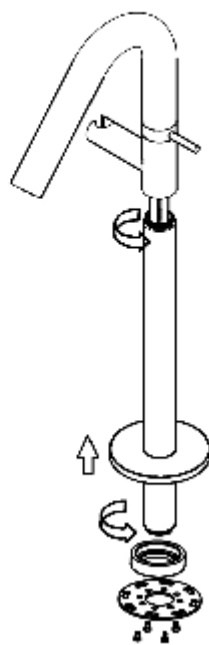
9

the end with thread should be upward, another end with 2 rubber rings is downward

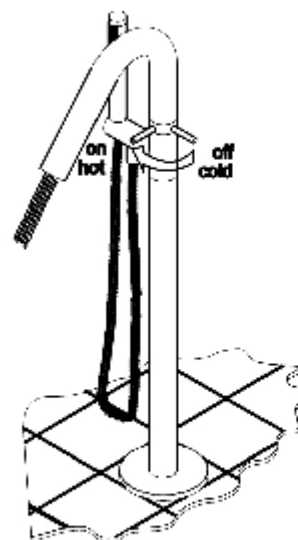


10

install the fixing scat



13



14

