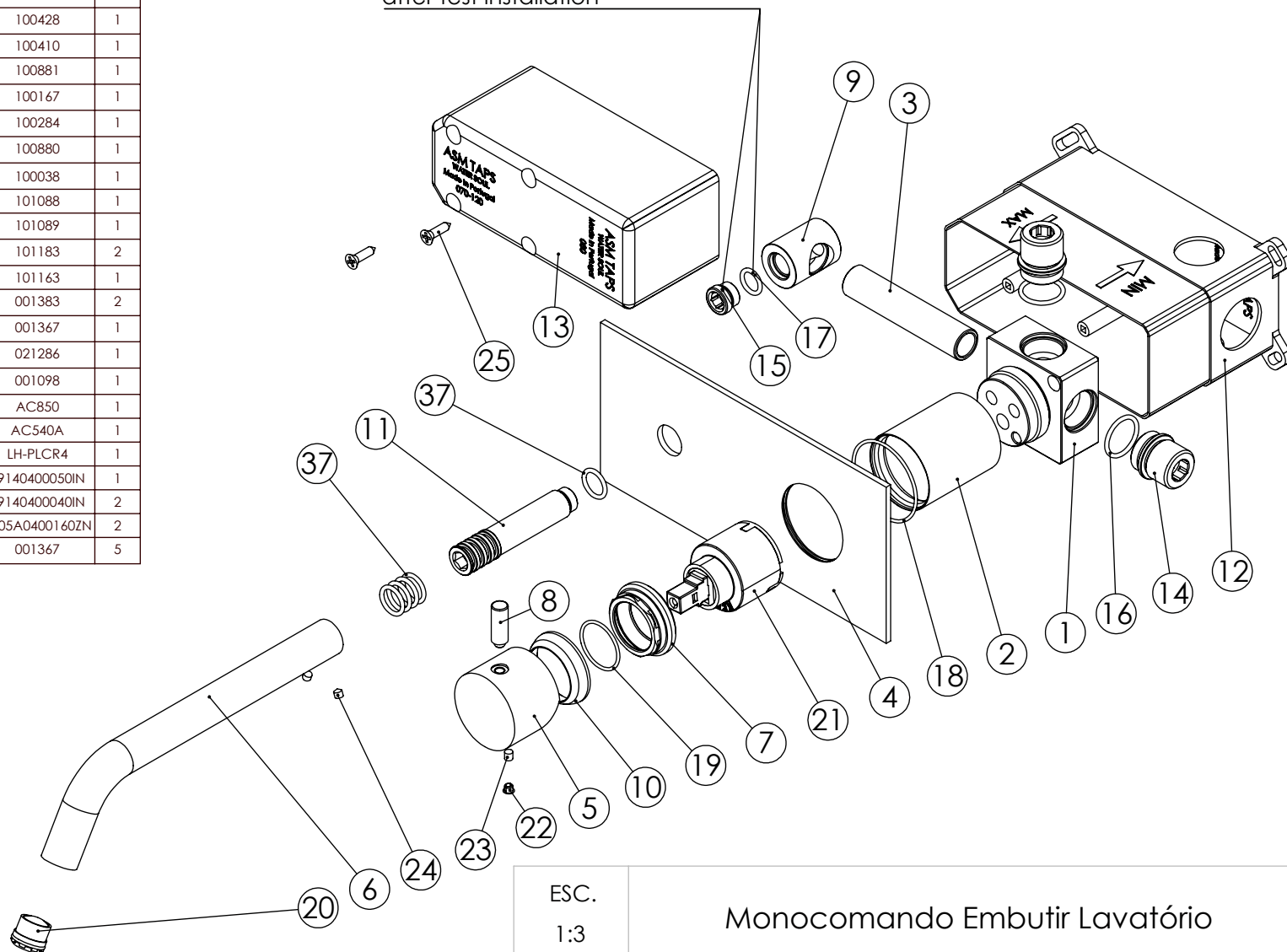


ESC. 1:5	Monocomando Embutir Lavatório			
Desenhou 20/06/2018	<b>SANITERRA<sup>®</sup></b>	MILANO SLIM		
Rev: 1 31/05/2022		1511016		

ITEM NO.	DESCRIPTION	REF.	QTY.																																																				
1	Bloco Lavatório Parede	100113	1																																																				
2	Copo Cartuchos Embutidos	100040	1																																																				
3	Tubo Ligação Lav_Parede	100205	1																																																				
4	Espelho Lavatório Parede	100060	1																																																				
5	Manipulo Lavatório Cilíndrico P-Perno	100428	1																																																				
6	Bica Parede Slim	100410	1																																																				
7	Porca M37x1,5 C_Oring	100881	1																																																				
8	Rabo Manipulo Cilíndrico Embutidos	100167	1																																																				
9	Casquilho Ligação Tubo-Bloco Embutido	100284	1																																																				
10	Campânula Porca M37x1,5	100880	1																																																				
11	Ponteira Bica Parede	100038	1																																																				
12	Base Box 01	101088	1																																																				
13	Tampa Box 01	101089	1 <tr><td>14</td><td>Casquilho G1-2 G1-2 Box</td><td>101183</td><td>2</td></tr> <tr><td>15</td><td>Taco Ponteira Bica Parede</td><td>101163</td><td>1</td></tr> <tr><td>16</td><td>Orings 18.00x2.00 NBR 70</td><td>001383</td><td>2</td></tr> <tr><td>17</td><td>Orings 10.00x2.00 NBR 70</td><td>001367</td><td>1</td></tr> <tr><td>18</td><td>Orings 40.00x1.50 NBR 70</td><td>021286</td><td>1</td></tr> <tr><td>19</td><td>Orings 23.00x1.50 NBR 70</td><td>001098</td><td>1</td></tr> <tr><td>20</td><td>Perlator 16.5x1</td><td>AC850</td><td>1</td></tr> <tr><td>21</td><td>Cartucho 35</td><td>AC540A</td><td>1</td></tr> <tr><td>22</td><td>Dístico em ABS de 5.5mm Cromado</td><td>LH-PLCR4</td><td>1</td></tr> <tr><td>23</td><td>Perno Umbrako Din 914 M4-5 Inox A-2</td><td>09140400050IN</td><td>1</td></tr> <tr><td>24</td><td>Perno Umbrako Din 914 M4-4 Inox A-2</td><td>09140400040IN</td><td>2</td></tr> <tr><td>25</td><td>Parafuso Madeira 4x16</td><td>7505A0400160ZN</td><td>2</td></tr> <tr><td>37</td><td>Orings 10.00x2.00 NBR 70</td><td>001367</td><td>5</td></tr>	14	Casquilho G1-2 G1-2 Box	101183	2	15	Taco Ponteira Bica Parede	101163	1	16	Orings 18.00x2.00 NBR 70	001383	2	17	Orings 10.00x2.00 NBR 70	001367	1	18	Orings 40.00x1.50 NBR 70	021286	1	19	Orings 23.00x1.50 NBR 70	001098	1	20	Perlator 16.5x1	AC850	1	21	Cartucho 35	AC540A	1	22	Dístico em ABS de 5.5mm Cromado	LH-PLCR4	1	23	Perno Umbrako Din 914 M4-5 Inox A-2	09140400050IN	1	24	Perno Umbrako Din 914 M4-4 Inox A-2	09140400040IN	2	25	Parafuso Madeira 4x16	7505A0400160ZN	2	37	Orings 10.00x2.00 NBR 70	001367	5
14	Casquilho G1-2 G1-2 Box	101183	2																																																				
15	Taco Ponteira Bica Parede	101163	1																																																				
16	Orings 18.00x2.00 NBR 70	001383	2																																																				
17	Orings 10.00x2.00 NBR 70	001367	1																																																				
18	Orings 40.00x1.50 NBR 70	021286	1																																																				
19	Orings 23.00x1.50 NBR 70	001098	1																																																				
20	Perlator 16.5x1	AC850	1																																																				
21	Cartucho 35	AC540A	1																																																				
22	Dístico em ABS de 5.5mm Cromado	LH-PLCR4	1																																																				
23	Perno Umbrako Din 914 M4-5 Inox A-2	09140400050IN	1																																																				
24	Perno Umbrako Din 914 M4-4 Inox A-2	09140400040IN	2																																																				
25	Parafuso Madeira 4x16	7505A0400160ZN	2																																																				
37	Orings 10.00x2.00 NBR 70	001367	5																																																				

Remove ref:101163 and 001367  
after test installation



ESC. 1:3	Monocomando Embutir Lavatório		
Desenhou 20/06/2018	<b>SANITERRA®</b>	MILANO SLIM	
Rev: 1 31/05/2022		1511016	

# SANITERRA® 1°

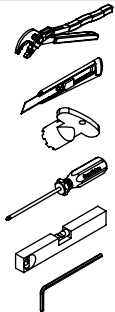
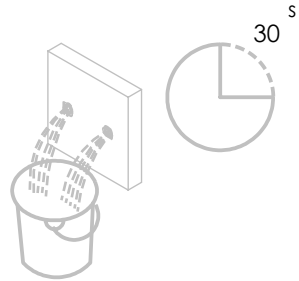
Service:



MAX  
80 C°



-65 C°  
-15 C°

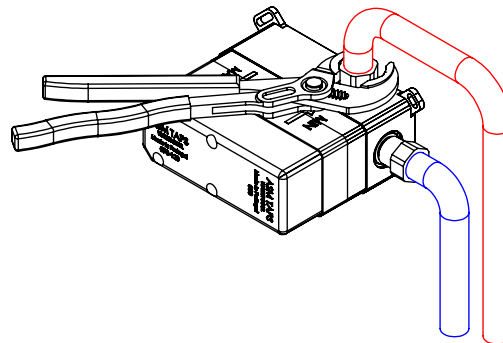


Adjustable Pliers  
Cutter  
Special Key  
Screw Driver  
Level  
2 / 6 / 8mm

## Washbasin Mixer Installation Manual

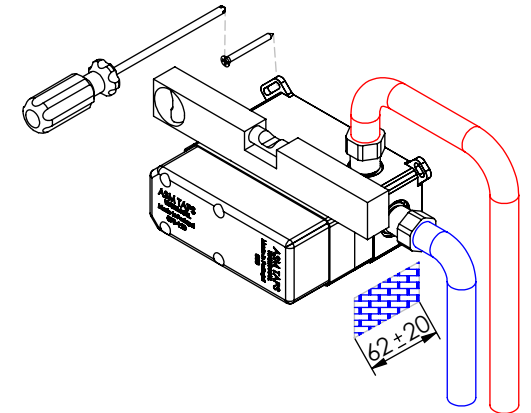
### 2°

Conection:



Cold Hot

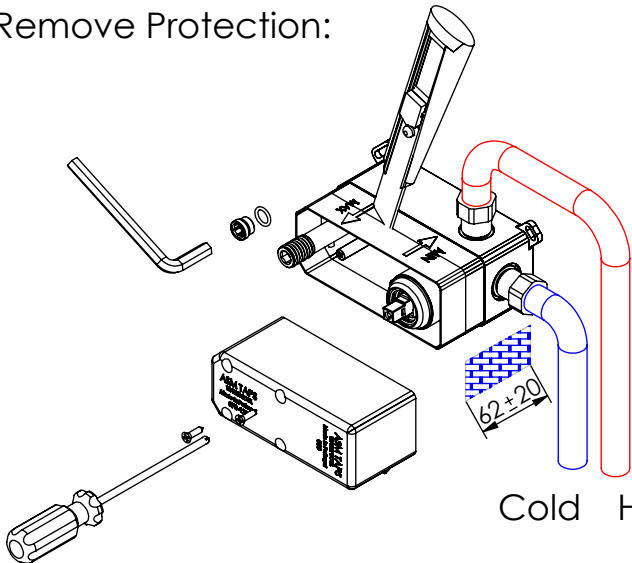
### 3°



Cold Hot

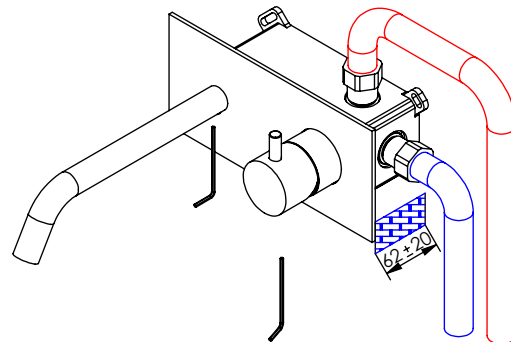
### 4°

Remove Protection:



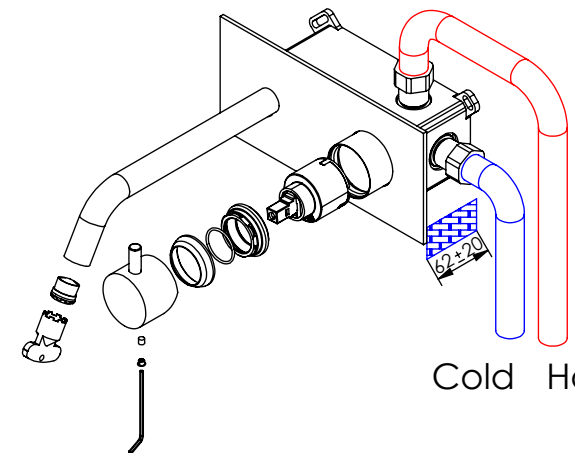
Cold Hot

### 5°



Cold Hot

Maintenance:



Cold Hot