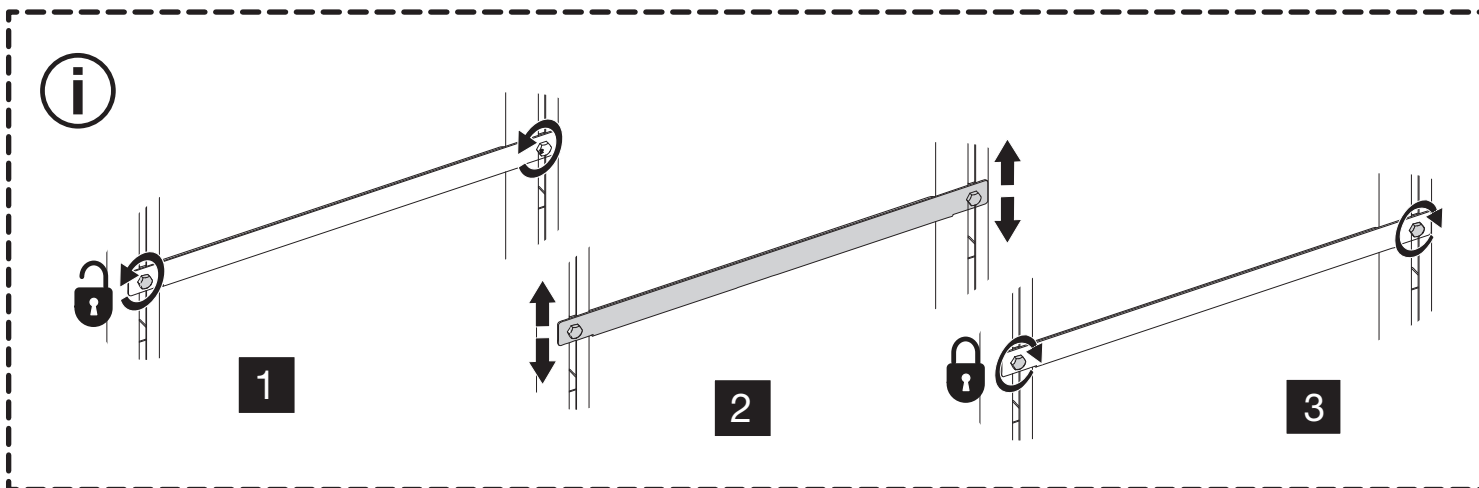
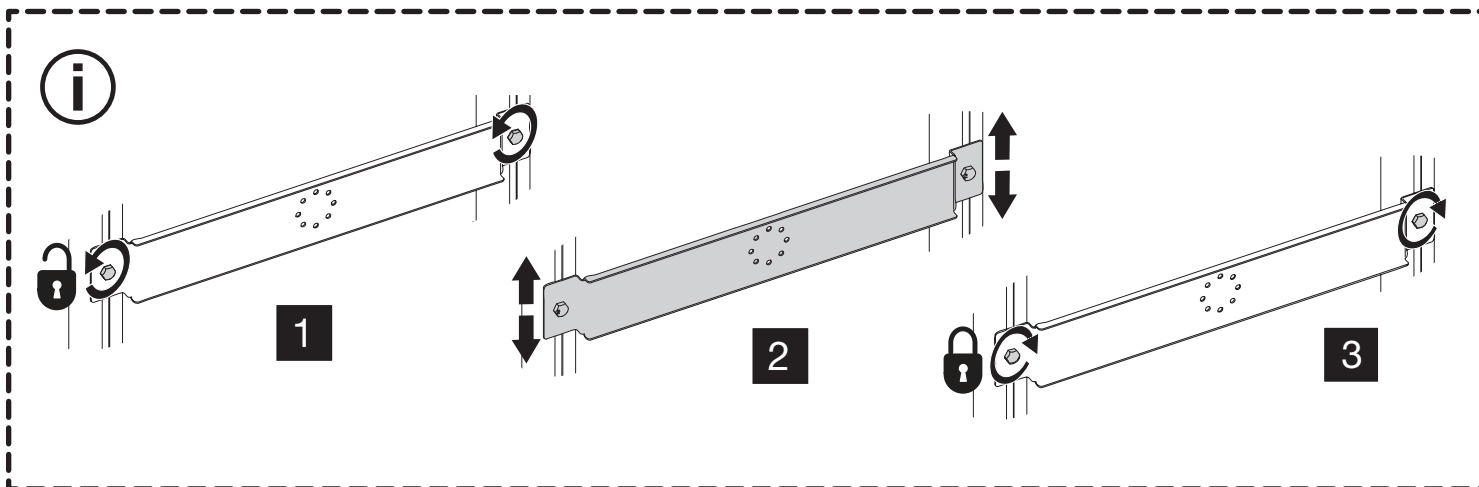
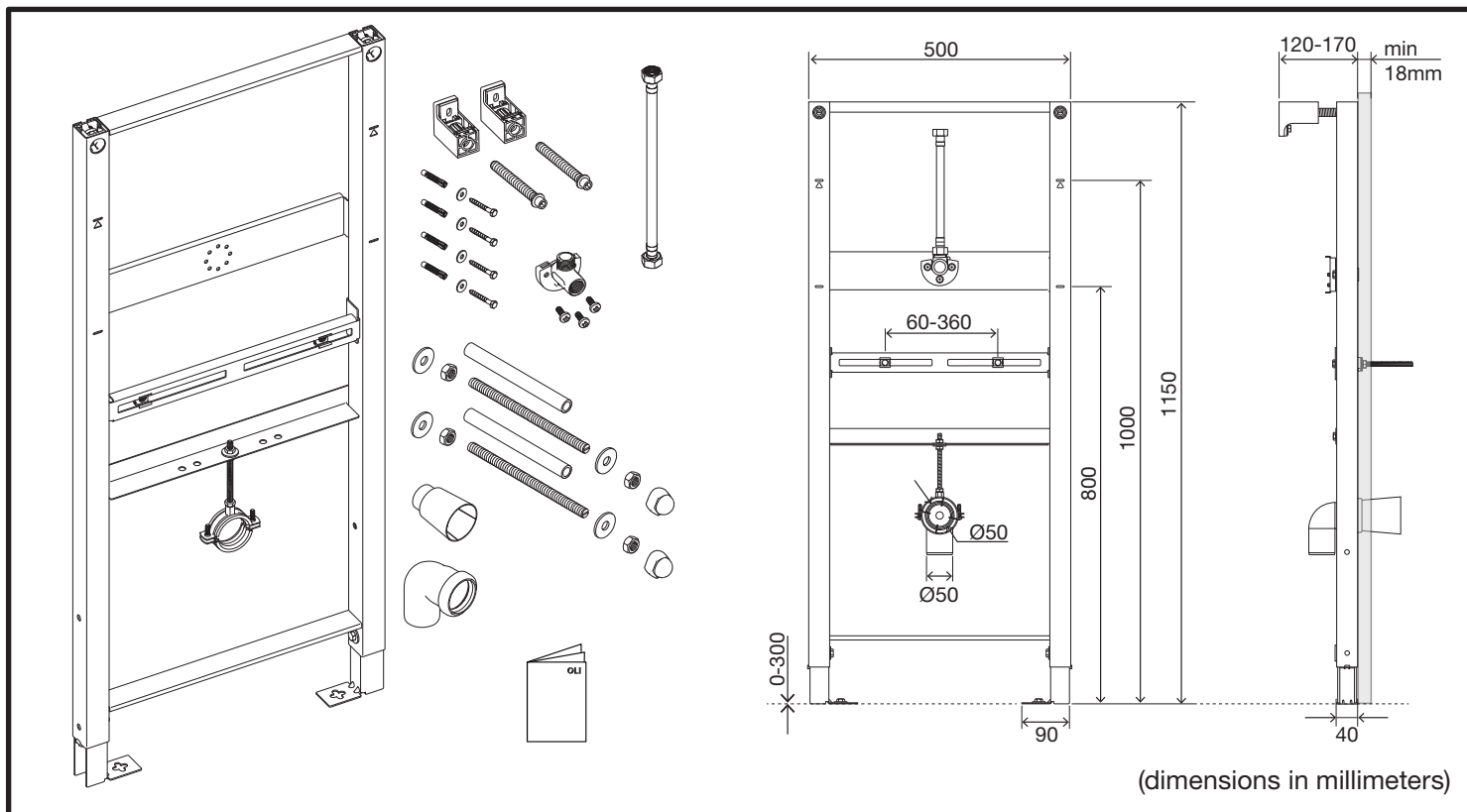
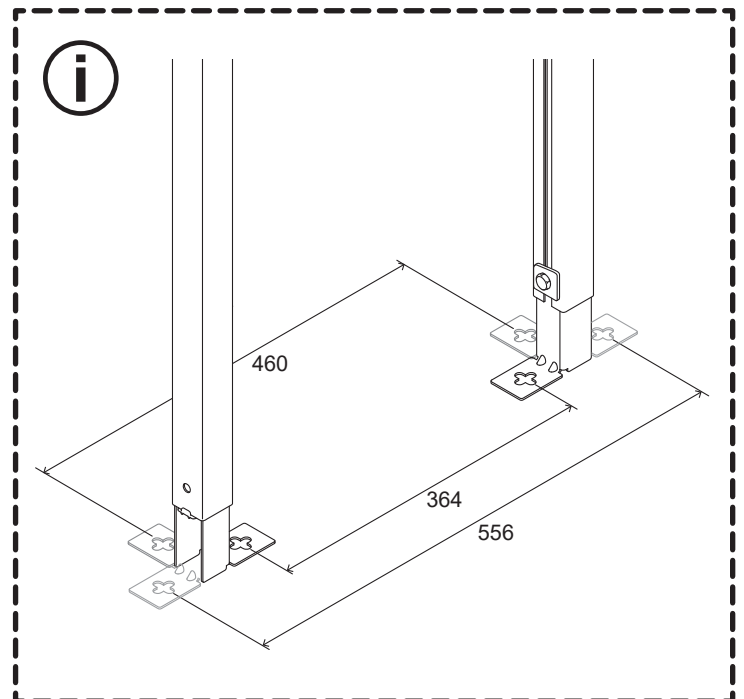
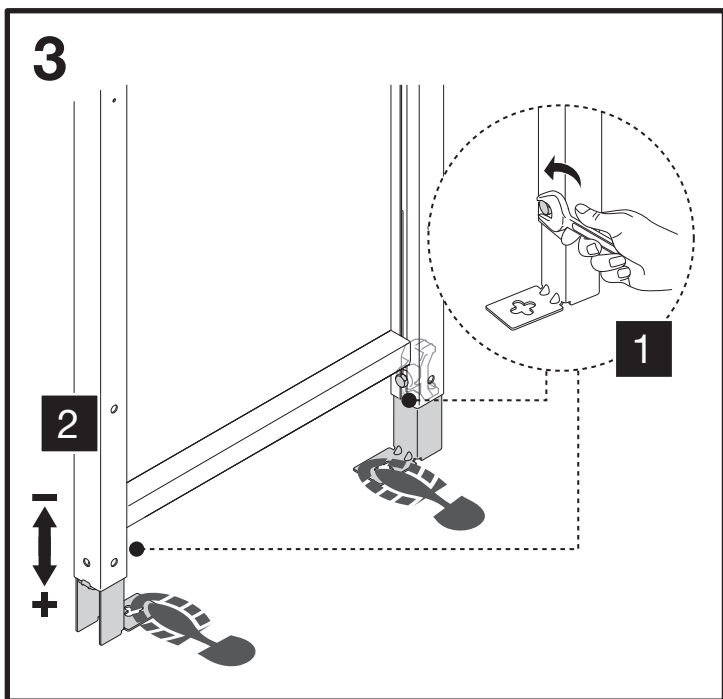
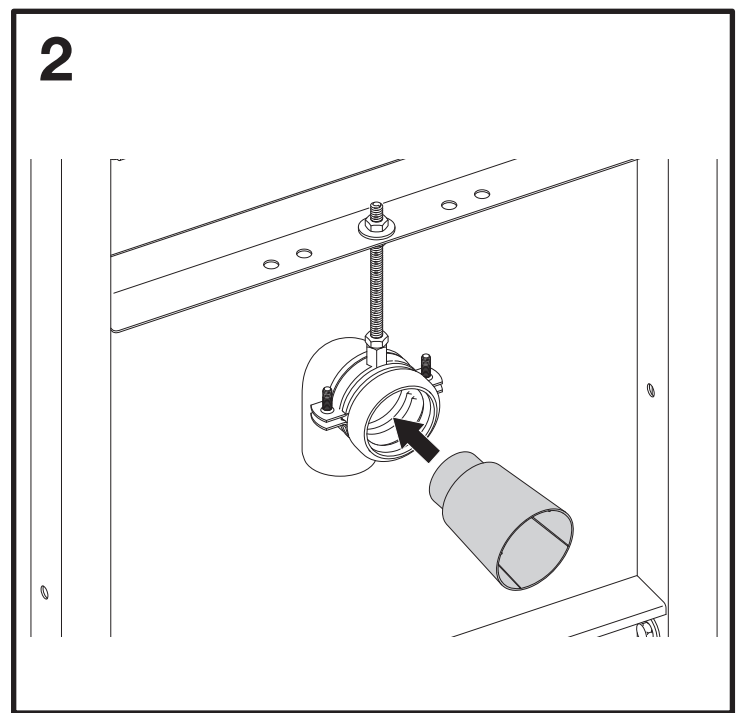
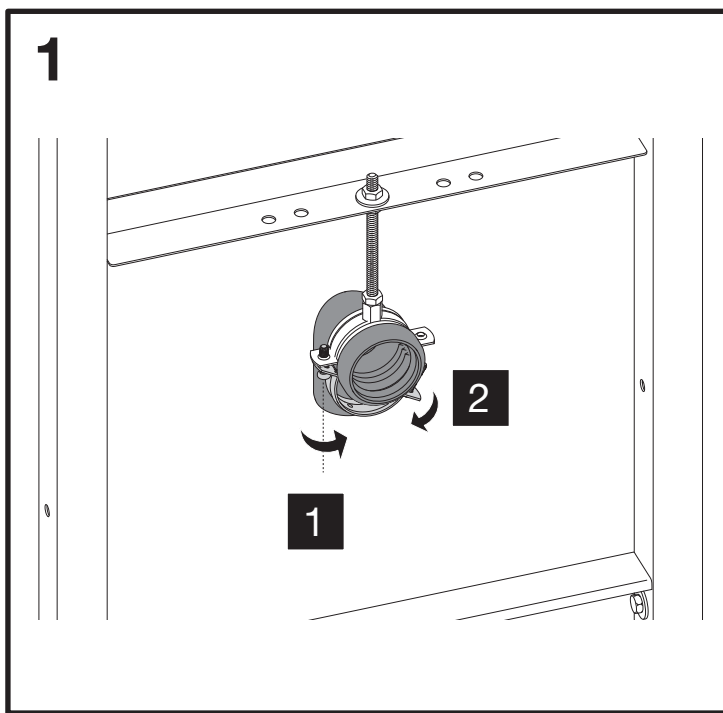
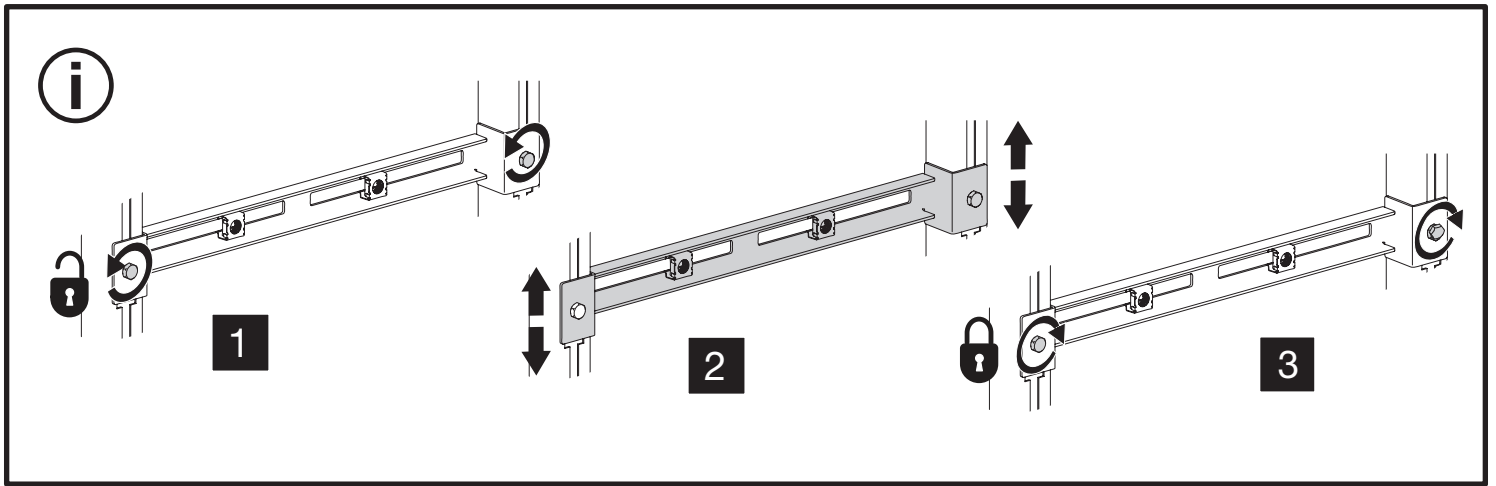
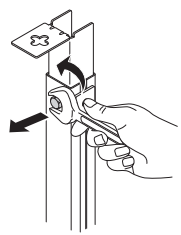


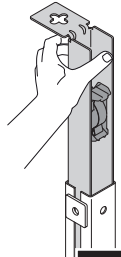
## Full Frame for Wall Mounted Urinal



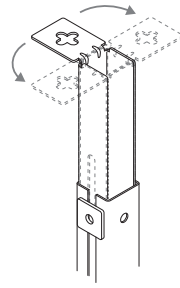




1

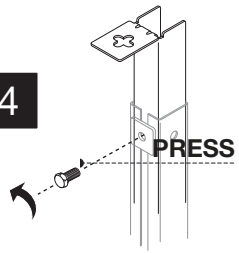


2



3

4



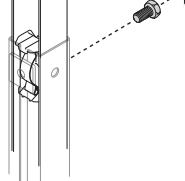
PRESS

or

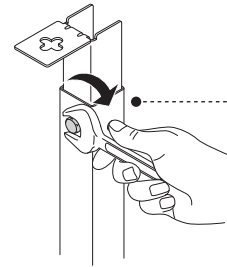


5

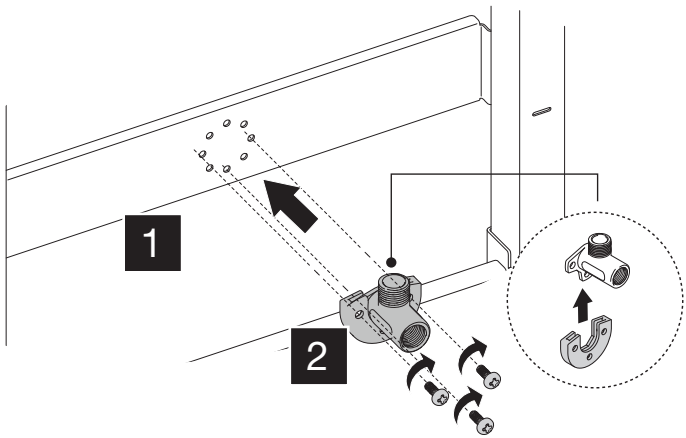
or



6



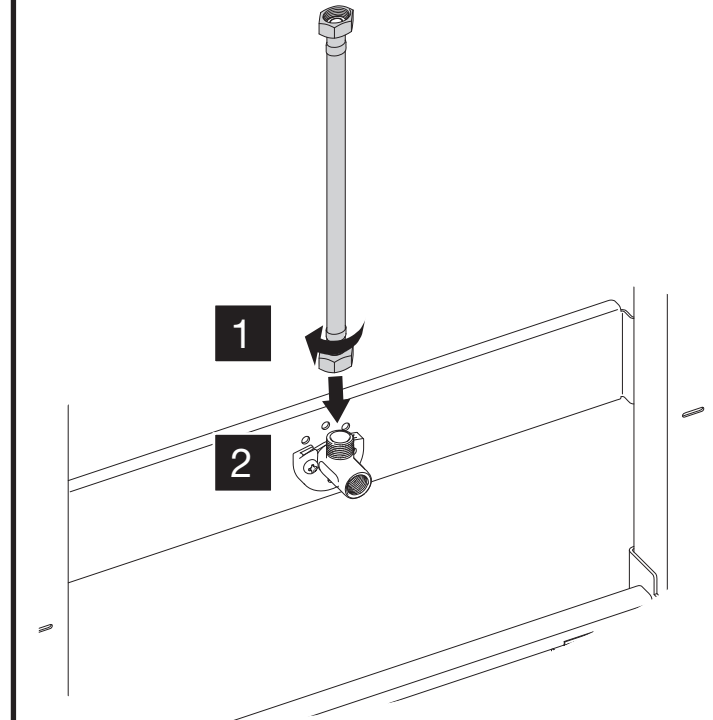
5



1

2

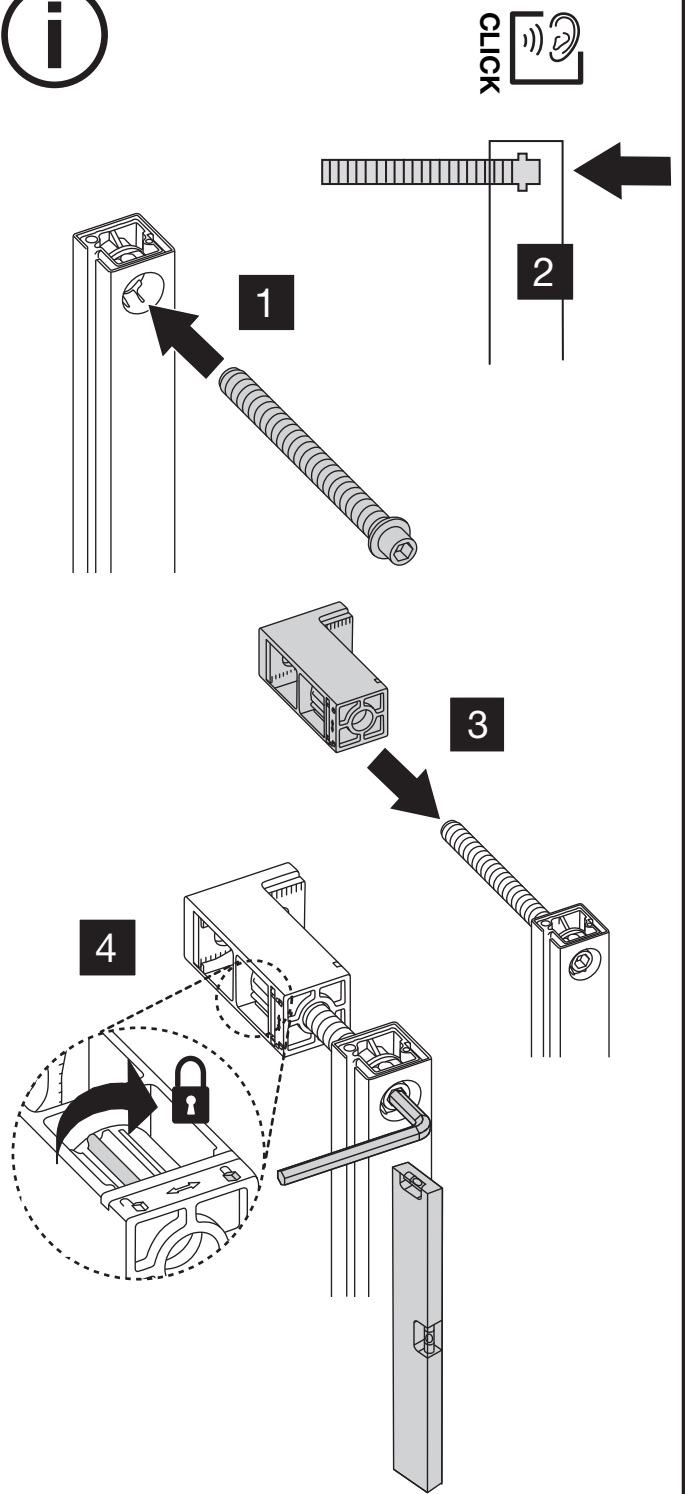
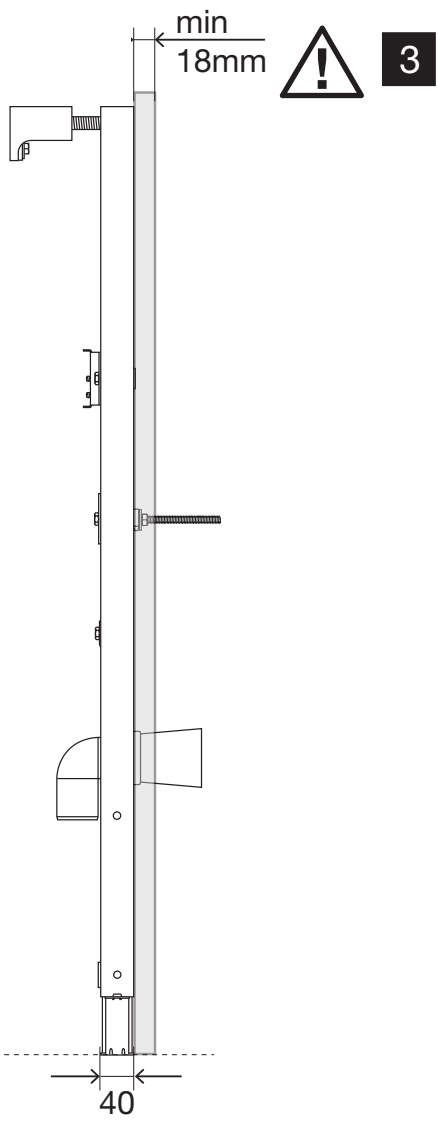
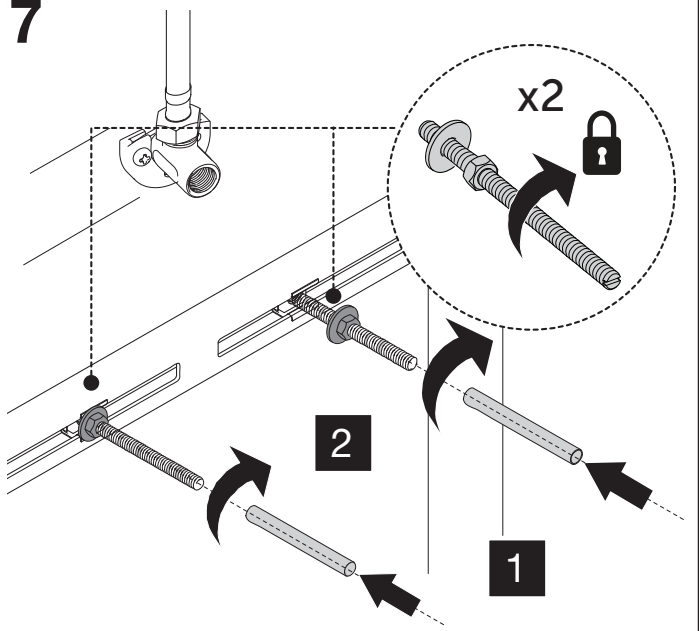
6

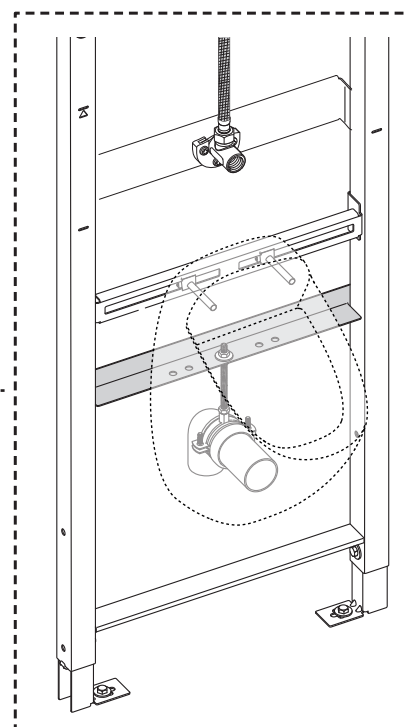
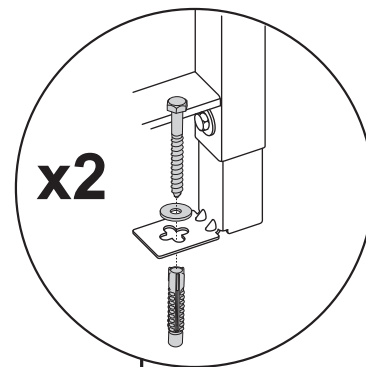
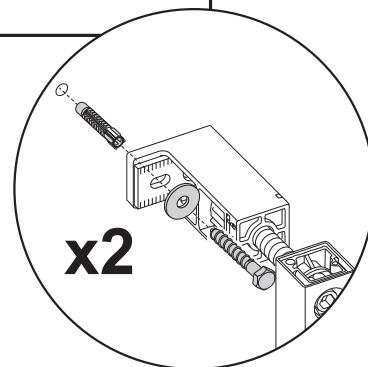
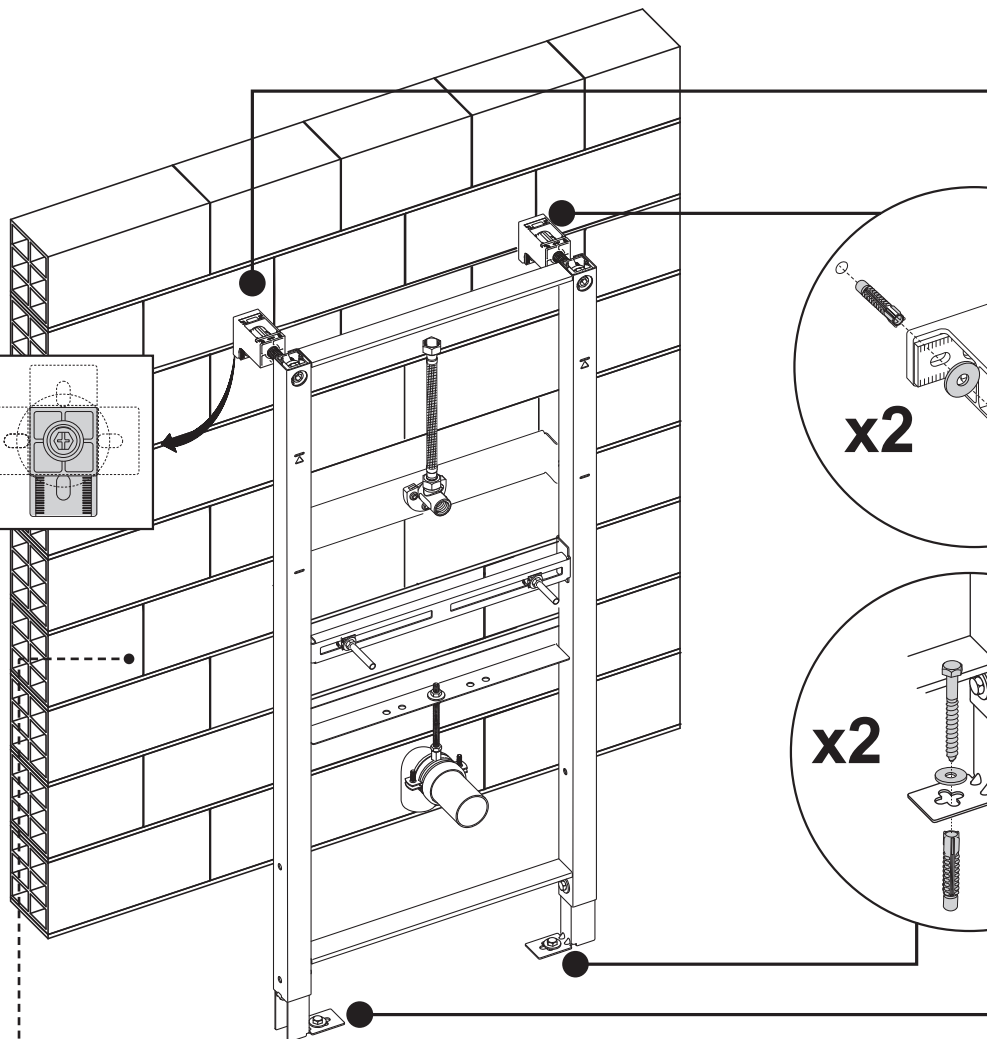
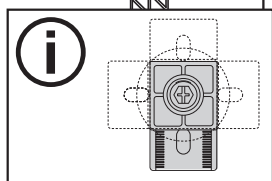
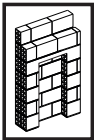


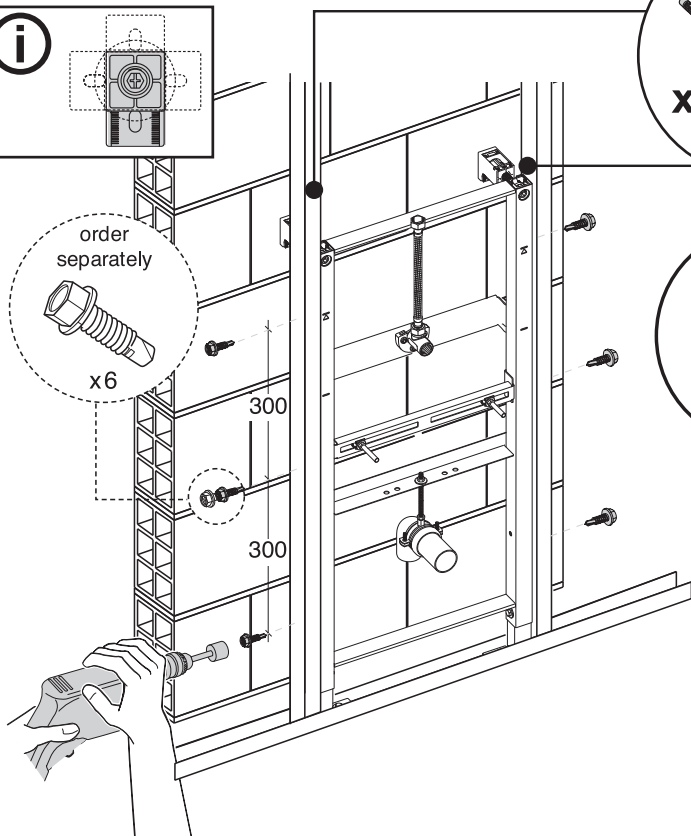
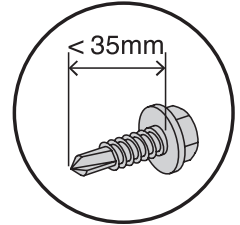
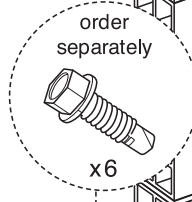
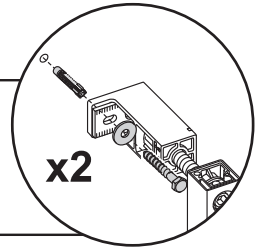
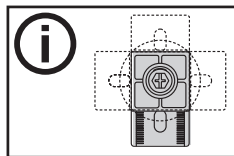
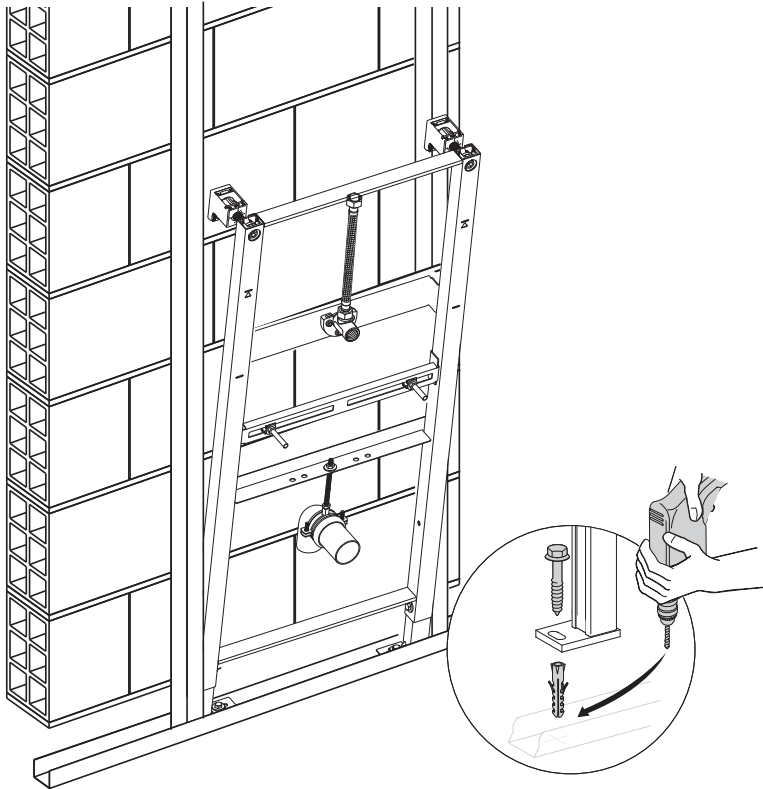
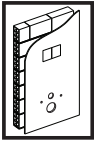
1

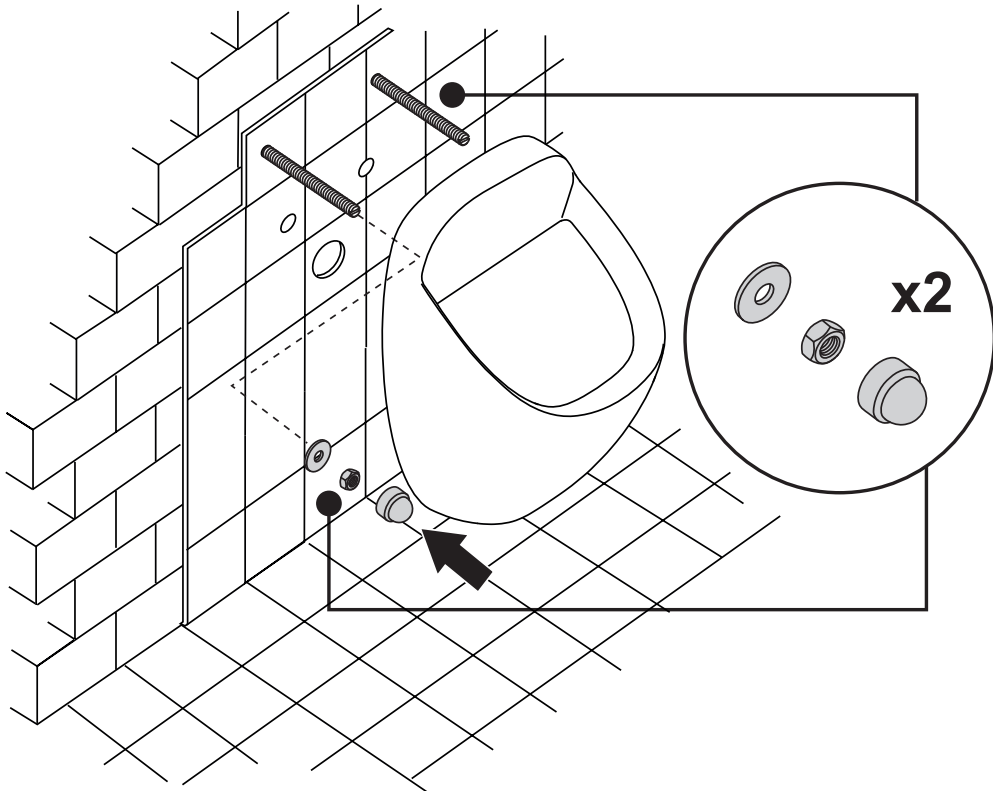
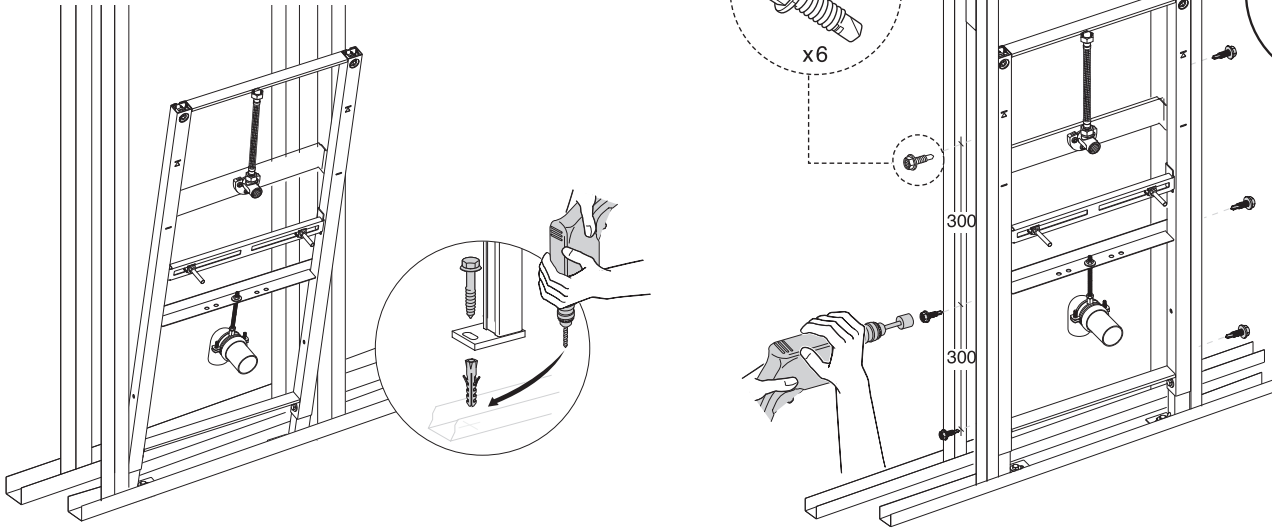
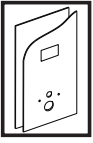
2

7











<https://saniterra.pt>

[info@saniterra.pt](mailto:info@saniterra.pt)