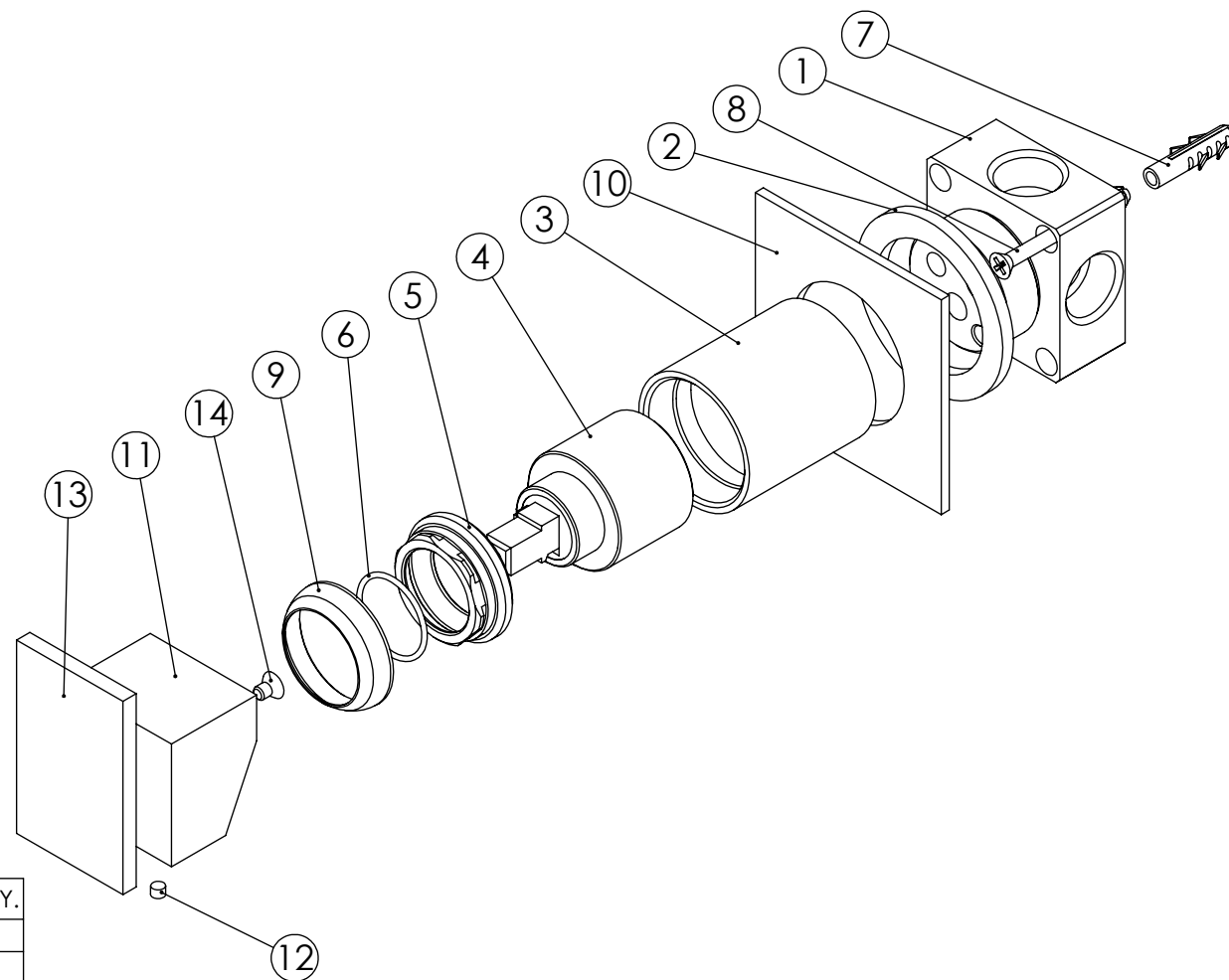


ESC. 1:2	Tuscano Plan Concealed 1 way out Shower Mixer Taps			
10/07/2018	SANITERRA[®]		15122011	
	https://saniterra.pt			



ITEM NO.	DESCRIPTION	REF.	QTY.
1	Bloco 1 Via	100025	1
2	Anel P_Espelhos Parede Furo Ø42	100652	1
3	Copo Cartuchos Embutidos	100040	1
4	Cartucho 35	AC540A	1
5	Porca M37x1,5 C_Oring	100881	1
6	Orings 23.00x1.50 NBR 70	001098	1
7	Bucha Nylon Standard Nr. 6	BNSTD060	2
8	Parafuso Madeira 4x45	7505A0400350ZN	2
9	Campânula Porca M37x1,5	100880	1
10	Espelho 1 Via Quadrada	100275	1
11	Manípulo Nascente	AC620	1
12	Perno Umbrako Din 914 M4-4 Inox A-2	09140400040IN	1
13	Chapa Manipulo Plan Embutir	100601	1
14	Parafuso Embeber M4x6	79910400060IN	1

ESC. 1:2	Tuscano Plan Concealed 1 way out Shower Mixer Taps		
10/07/2018	SANITERRA®	15122011	
	https://saniterra.pt		