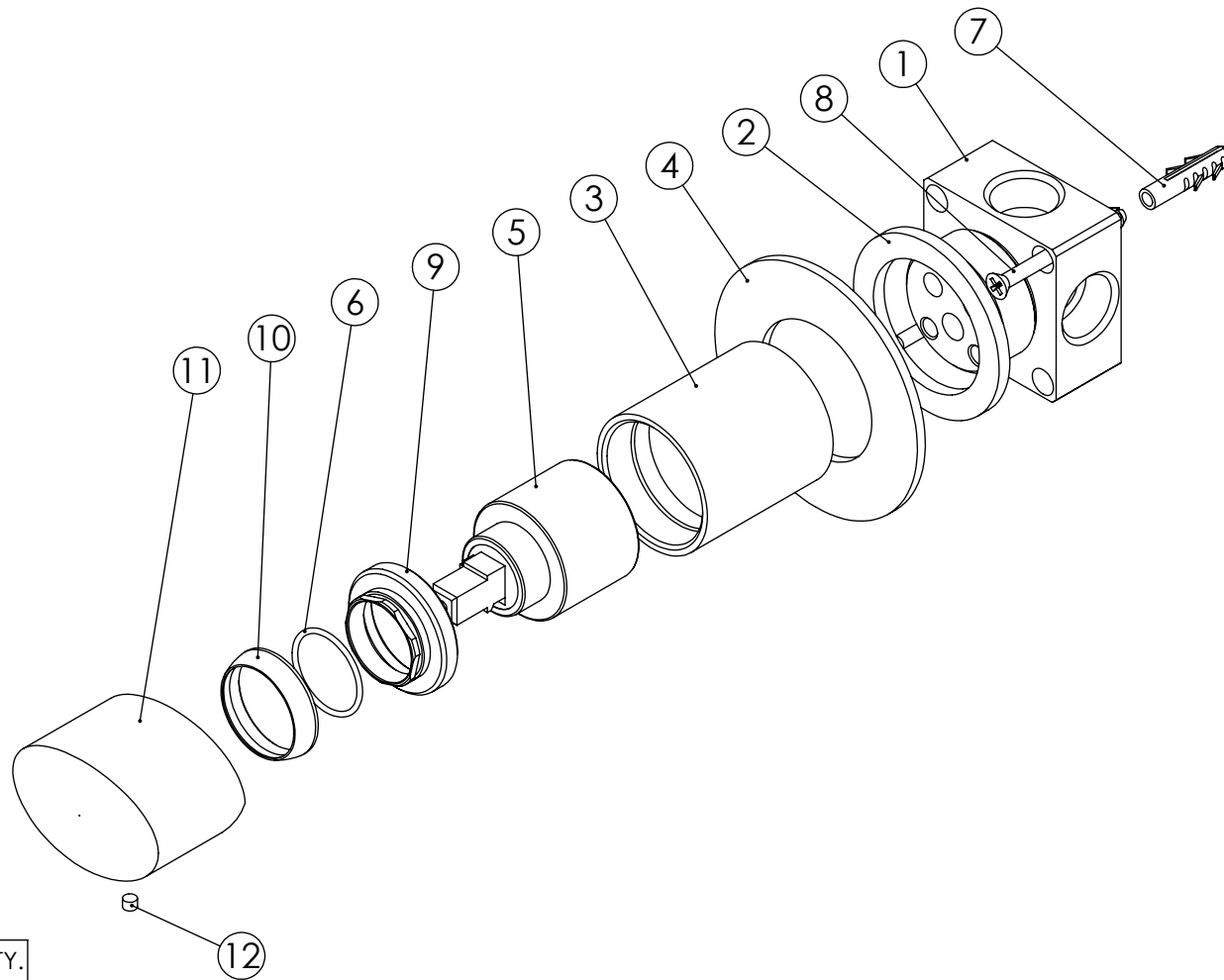


ESC. 1:2	Milano Oval Concealed 1 way out Shower Mixer			
12/07/2018	<b>SANITERRA®</b>		15121011	
	<a href="https://saniterra.pt">https://saniterra.pt</a>			



ITEM NO.	DESCRIPTION	REF.	QTY.
1	Bloco 1 Via	100025	1
2	Anel P_Espelhos Parede Furo Ø42	100652	1
3	Copo Cartuchos Embutidos	100040	1
4	Espelho de 1 Via Cilindrico	100274	1
5	Cartucho 35	AC540A	1
6	Orings 23.00x1.50 NBR 70	001098	1
7	Bucha Nylon Standard Nr. 6	BNSTD060	2
8	Parafuso Madeira 4x45	7505A0400350ZN	2
9	Porca Cartucho 35 Manípulo OVAL	100266	1
10	Campânula Porca M32x1,5	100883	1
11	Manípulo Lavatório Oval	100036	1
12	Perno Umbrako Din 916 M4-5 Inox A-2	09160400050IN	1

ESC. 1:2	Milano Oval Concealed 1 way out Shower Mixer			
12/07/2018	<b>SANITERRA®</b>		15121011	
	<a href="https://saniterra.pt">https://saniterra.pt</a>			